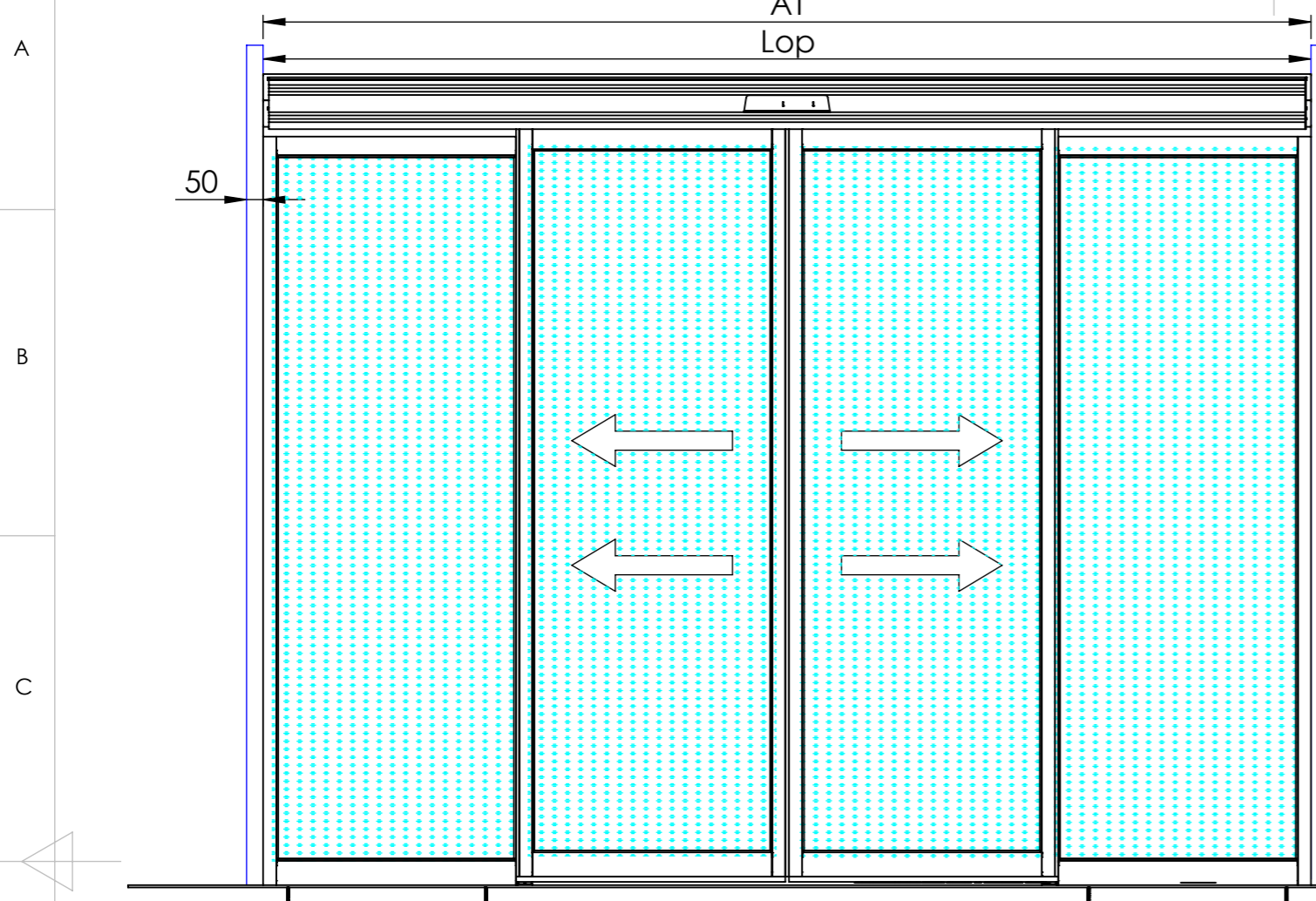
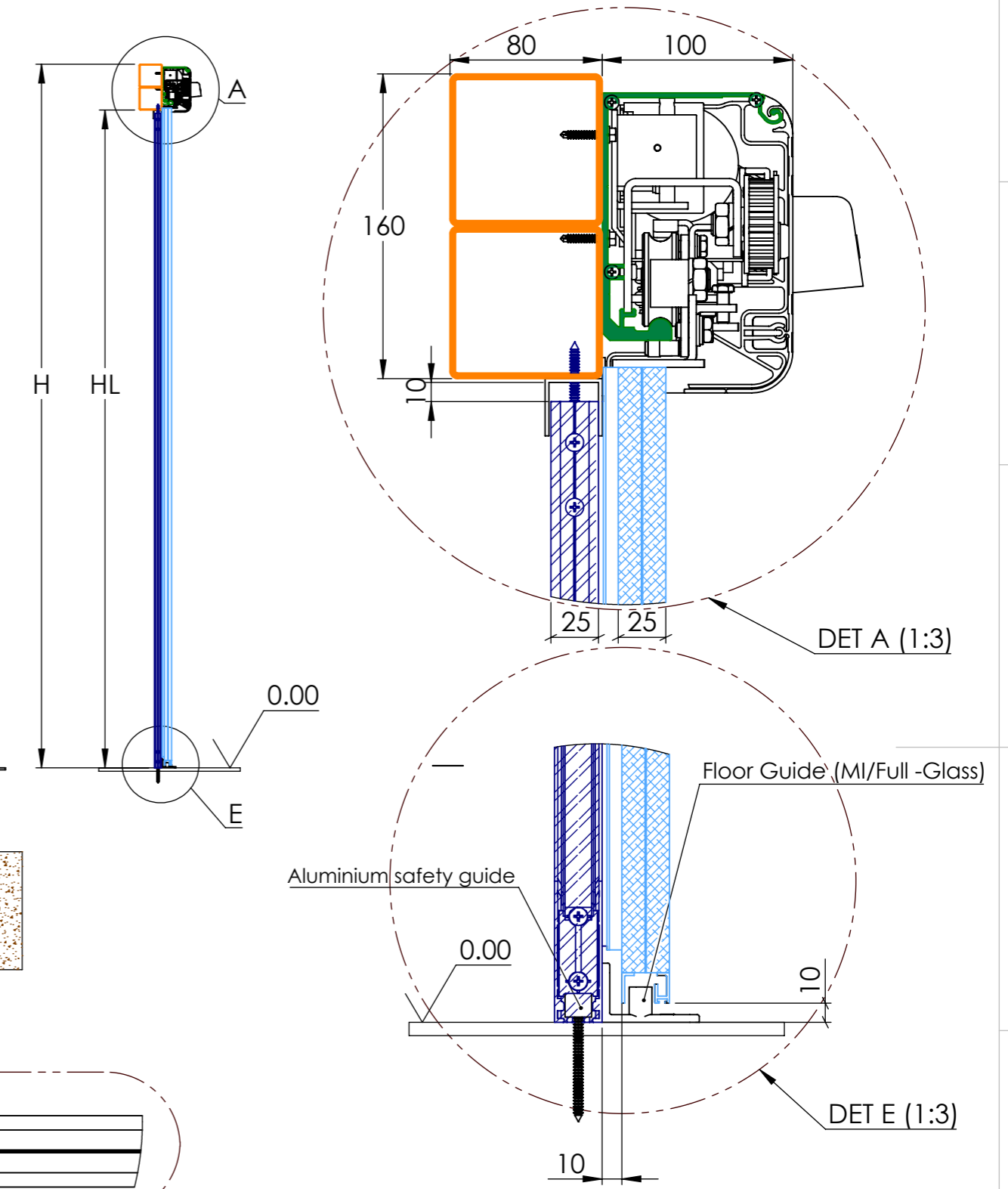


This document is the property of Master Ingenieros S.A. Reproduction and dissemination prohibited without express consent.

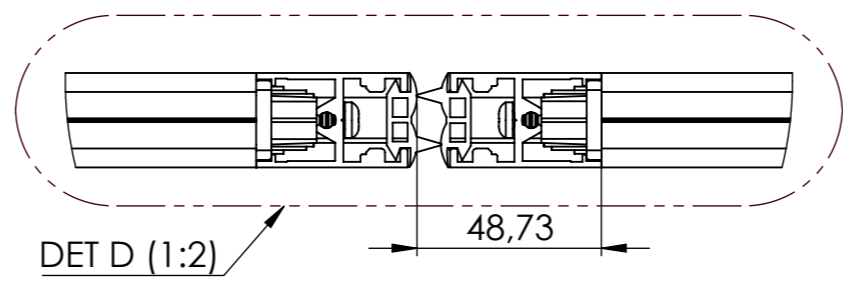
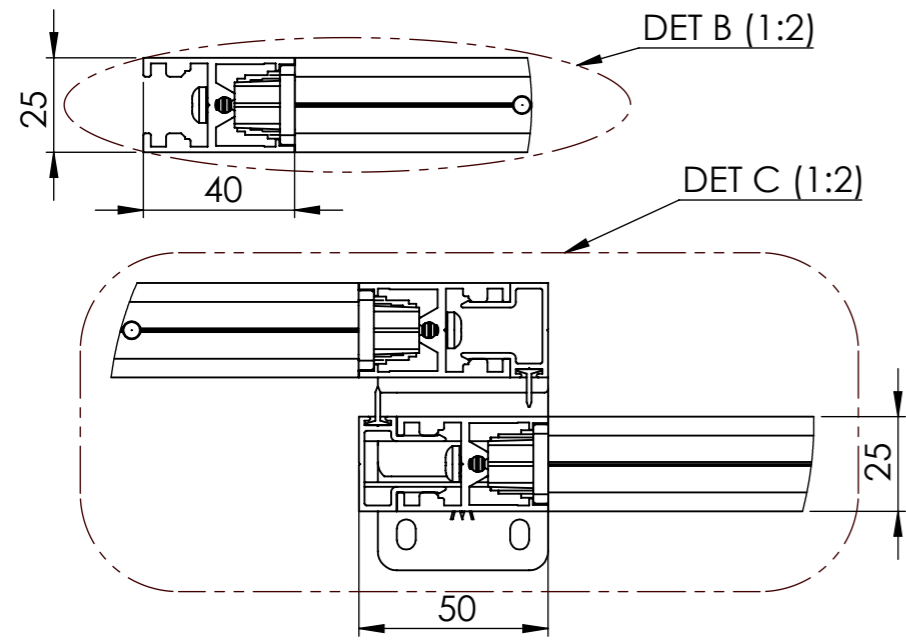
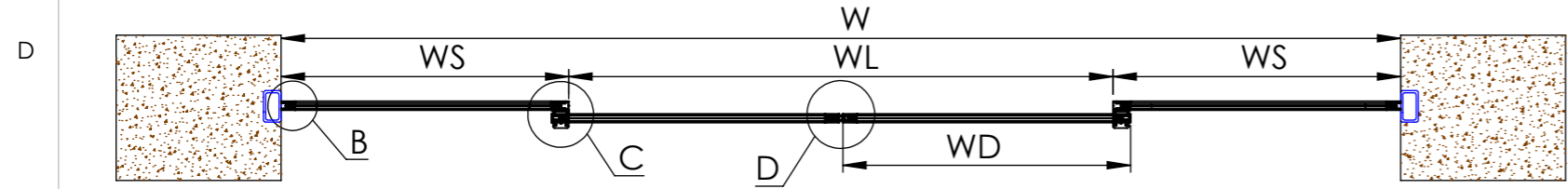
Elevation: View from the operator side



Vertical section: Beam profile



Horizontal section:



AT	Total width
Lop	Operator length
W	Frame width
WL	Clear opening width
WS	Fix leaf width
WD	Sliding leaf width
H	Frame height
HL	Clear opening height

SHEET SCALE: 1:20 REVIEW: ___

MASTERINGENIEROS
PUERTAS AUTOMÁTICAS

TITLE: **Operator MI50N. MI Profile.**

Author: Diego J. Martínez Viguera **A3**

SHEET 2 OF 3